

PARTS LIST

[UX-M3R]

* All printed circuit boards and its assemblies are not available as service parts.

Area suffix	
B	----- U.K.
E	----- Continental Europe
EN	----- Northern Europe
EV	----- Eastern Europe

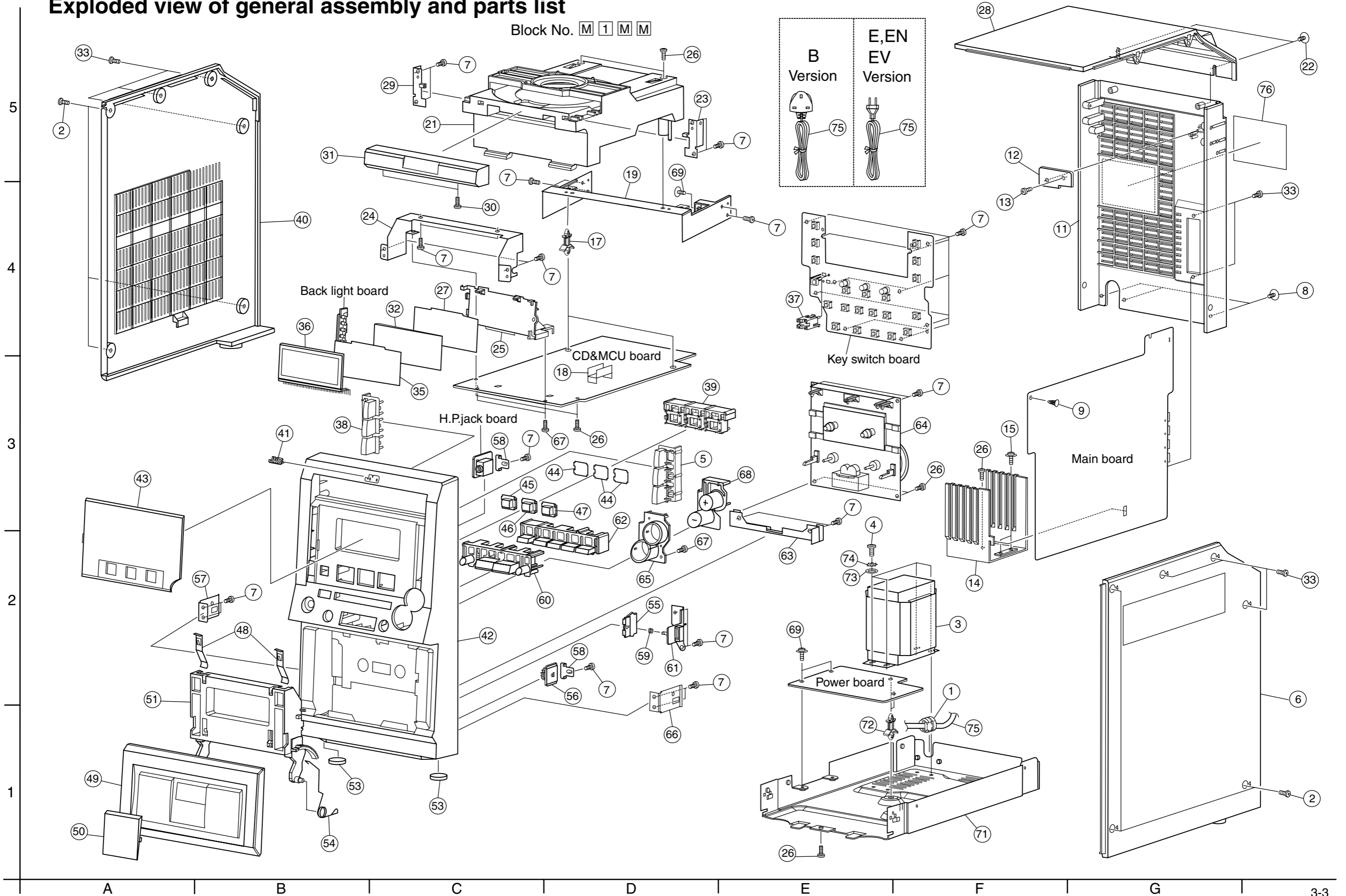
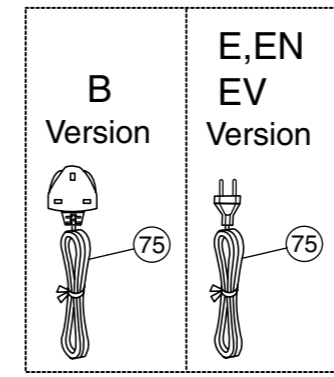
- Contents -

Exploded view of general assembly and parts list (Block No.M1)	3- 3
Electrical parts list (Block No.01~04).....	3- 5
Packing materials and accessories parts list (Block No.M3,M5).....	3-14

< M E M O >

Exploded view of general assembly and parts list

Block No. **M 1 M M**



UX-M3R

UX-M3R

■ Parts list (General assembly)

Block No. M1MM

△	Item	Parts number	Parts name	Q'ty	Description	Area
△	1	OW84-10002-02	S R BUSHING	1	SR-F41 POWER CORD	
	2	OW40-23010-52	SCREW	6	M3X10 BH/MS	
△	3	OW15-80003-00	POWER TRANS.	1	EI-66 T05663A M3	
	4	OW40-10408-81	SCREW	4	D4X8 BH ZN-CHROMATE	
	5	OW53-30000-01	KEY BUTTON	1	OPEN/CLOSE RIGHT	
	6	OW61-30000-02	R-SIDE PLATE	1		
	7	OW40-13008-91	SCREW	34	D3X8,BH/ST, PITCH	
	8	OW40-03008-53	SCREW	3	M3X8 WH/MS TAPTITE	
	9	OW84-30000-02	LOCK PCB SUPPOR	1	RS-3	
	11	OW61-30000-00	REAR CABINET	1		
	12	OW11-80003-08	PCB WASHER	1	94HB 1.6MM FOR ANT	
	13	OW40-12606-21	SCREW	1	D2.6X6 BH/ST BLK	
	14	OW39-00155-07	HEAT SINK	1	MC155 POWER IC	
	15	OW40-13008-03	SCREW	2	D3X8 WH/ST	
	17	OW84-30000-05	LOCK PCB SUPPORT	2	H=12.7	
	18	OW39-00013-00A	HEAT SINK	1	CDT13	
	19	OW39-30000-03	MOUNT BRACKET	1		
	21	OW98-00110-02	CD MECHANISM	1	TCP11TK3+TD001	
	22	OW40-13010-03	SCREW	2	D3X10 WH/ST	
	23	OW39-30000-01	CD FRONT M. BKT	1	RIGHT	
	24	OW39-30000-02	CD FRONT M. BKT	1	FRONT BOTTOM	
	25	OW48-30000-01	LCD BRACKET	1		
	26	OW40-03006-81	SCREW	8	M3X6 BH/MS TAPTITE	
	27	OW68-30000-00	LIGHT G SHEET	1	0.1TH FOR FL	
	28	OW60-30000-01	TOP CABINET	1		
	29	OW39-30000-00	CD FRONT M. BKT	1	LEFT	
	30	OW40-12605-21	SCREW	2	D2.6X5 BH/ST BLK	
	31	OW66-30000-00	CD DOOR	1		
	32	OW43-30000-05	LIGHT GUIDE	1		
	33	OW40-13012-01	SCREW	8	D3X12 BH/ST	
	35	OW68-30000-01	LCD FILTER	1	TD207	
	36	OW91-80003-00	LCD	1	914117T-P YEEBO	
	37	OW48-30000-02	REMORT S.HOLDER	1		
	38	OW53-30000-00	KEY BUTTON	1	STANDBY LEFT	
	39	OW53-30000-04	KEY BUTTON	1	FUNCTION	
	40	OW61-30000-01	L-SIDE PLATE	1		
	41	OW55-30000-00	BADGE	1	JVC	
	42	OW60-30000-00	FRONT CABINET	1		
	43	OW43-30000-00	DISPLAY LENSE	1		
	44	OW68-30000-02	F KEY FILTER	3	TD207 FUNCTION	
	45	OW43-30000-02	FUNCTION B.LENS	1	FUNCTION CD	
	46	OW43-30000-03	FUNCTION B.LENS	1	FUNCTION TUNER	
	47	OW43-30000-04	FUNCTION B.LENS	1	FUNCTION TAPE	
	48	OW39-30000-07	CCASSETTE SPRIN	2	DOOR	
	49	OW66-30000-01	C. DOOR COVER	1		
	50	OW43-30000-01	C. DOOR LENS	1		
	51	OW66-00155-03	CASSETTE DOOR	1	MC155	
	53	OW81-00155-01	FOOT	2	D16X3MM PORON	

■ Parts list (General assembly)

Block No. M1MM

△	Item	Parts number	Parts name	Q'ty	Description	Area
	54	OW36-30000-00	TORSION SPRING	1	D1.0MM CASS DOOR	
	55	OW49-00155-01	DOOR LATCH CAM	1	MC155	
	56	OW63-00155-01	GEAR DAMPER	1		
	57	OW39-30000-04	BRACKET	1	LEFT	
	58	OW39-00155-13	GEAR HOLDER	2	DAMPER	
	59	OW36-00155-03A	COMPRESS SPRING	1	M155 4MML	
	60	OW53-30000-02	KEY BUTTON	1	REC/DIRECT	
	61	OW49-00155-02	LATCH CAM HOLDE	1	MC155	
	62	OW53-30000-03	KEY BUTTON	1	STOP/PROGRAM	
	63	OW39-00055-01	MECHA BRACKET	1	MC55 CASSETTE	
	64	OW94-34315-00	CASSETTE MECHA	1	CFL4315	
	65	OW48-30000-00	ORNAMENTAL	1	RING	
	66	OW39-30000-05	BRACKET	1	RIGHT	
	67	OW40-12608-21	SCREW	3	D2.6X8 BH/ST BLK/ZN	
	68	OW53-30000-05	KEY BUTTN	1	VOLUME	
	69	OW40-03006-53	SCREW	3	M3 X 6 WH/MS	
	71	OW39-30000-06	BOTTOM CASE	1		
	72	OW84-30000-04	LOCK PCB SUPPOR	2	H=9.6	
	73	OW35-00010-03	METAL WASHER	4	D10 X D4 X 1MM	
	74	OW35-20001-01	TOOTH WASHER	4	EXTANAL M4	
△	75	OW30-00005-00	POWER CORD	1	2M B5 1363 13A 250V	B
△		OW30-00020-06E	POWER CORD	1	7 VDE	E,EN,EV
	76	OW87-30000-06	NAME PLATE	1		EV
		OW87-30000-02	NAME PLATE	1		B,E,EN

■ Electrical parts list (Main board)

Block No. 01

△	Item	Parts number	Parts name	Remarks	Area	△	Item	Parts number	Parts name	Remarks	Area
	ANT	OW29-00003-00	FM ANTENNA	BLK. 1.4M (M3)			C 209	OW05-02272-10	M.CAPACITOR	0.0027MF 10%	
	C 102	OW05-00223-00	C.CAPACITOR	0.022MF 10% 50V			C 210	OW05-00331-00	C.CAPACITOR	330PF	
	C 104	OW05-09391-05	PP CAPACITOR	390PF 5%			C 211	OW06-50475-02	E.CAPACITOR	4.7MF 50V	
	C 105	OW05-00100-06	C.CAPACITOR	10PF 5%			C 212	OW05-02332-10	M.CAPACITOR	0.0033MF 10%	
	C 116	OW05-00104-00	C.CAPACITOR	0.1MF 10% 50V			C 213	OW05-02563-10	M.CAPACITOR	0.056MF 10%	
	C 117	OW05-00104-00	C.CAPACITOR	0.1MF 10% 50V			C 214	OW05-02473-10	M.CAPACITOR	0.047MF 10%	
	C 118	OW05-00102-00	C.CAPACITOR	0.001MF 10% 50V			C 215	OW06-50224-02	E.CAPACITOR	0.22MF 50V	
	C 119	OW05-00102-00	C.CAPACITOR	0.001MF 10% 50V			C 216	OW06-16476-02	E.CAPACITOR	47MF 16V	
	C 120	OW05-00120-06	C.CAPACITOR	12PF 5%			C 217	OW05-02272-10	M.CAPACITOR	0.0027MF 10%	
	C 121	OW05-00102-00	C.CAPACITOR	0.001MF 10% 50V			C 220	OW05-00151-00	C.CAPACITOR	150PF	
	C 122	OW05-00331-00	C.CAPACITOR	330PF			C 221	OW05-00151-00	C.CAPACITOR	150PF	
	C 123	OW06-16106-02	E.CAPACITOR	10MF 16V			C 222	OW05-00151-00	C.CAPACITOR	150PF	
	C 124	OW06-50105-02T	E.CAPACITOR	1MF 50V			C 223	OW05-02182-10	M.CAPACITOR	0.0018MF 10%	
	C 125	OW06-50104-00	E.CAPACITOR	0.1MF 50V			C 224	OW06-50105-02T	E.CAPACITOR	1MF 50V	
	C 126	OW06-50104-00	E.CAPACITOR	0.1MF 50V			C 225	OW06-16227-02	E.CAPACITOR	220MF 16V	
	C 127	OW06-50474-20	E.CAPACITOR	0.47MF 50V			C 226	OW06-50475-02	E.CAPACITOR	4.7MF 50V	
	C 128	OW05-00103-00	C.CAPACITOR	0.01MF 10% 50V			C 227	OW06-16227-02	E.CAPACITOR	220MF 16V	
	C 129	OW06-16227-02	E.CAPACITOR	220MF 16V			C 228	OW05-00331-00	C.CAPACITOR	330PF	
	C 131	OW05-00333-00	C.CAPACITOR	0.033MF 10% 50V			C 229	OW06-50475-02	E.CAPACITOR	4.7MF 50V	
	C 132	OW06-50475-02	E.CAPACITOR	4.7MF 50V			C 230	OW05-02272-10	M.CAPACITOR	0.0027MF 10%	
	C 133	OW06-50475-02	E.CAPACITOR	4.7MF 50V			C 231	OW05-02473-10	M.CAPACITOR	0.047MF 10%	
	C 134	OW06-50475-02	E.CAPACITOR	4.7MF 50V			C 232	OW05-02332-10	M.CAPACITOR	0.0033MF 10%	
	C 137	OW05-02103-10	M.CAPACITOR	0.01MF 10%			C 233	OW05-02563-10	M.CAPACITOR	0.056MF 10%	
	C 138	OW05-02103-10	M.CAPACITOR	0.01MF 10%			C 234	OW06-16106-02	E.CAPACITOR	10MF 16V	
	C 139	OW05-00222-00	C.CAPACITOR	0.0022MF 50V			C 235	OW06-16227-02	E.CAPACITOR	220MF 16V	
	C 140	OW05-00103-00	C.CAPACITOR	0.01MF 10% 50V			C 236	OW05-00223-00	C.CAPACITOR	0.022MF 10% 50V	
	C 141	OW06-16227-02	E.CAPACITOR	220MF 16V			C 237	OW06-50224-02	E.CAPACITOR	0.22MF 50V	
	C 142	OW05-00101-06	C.CAPACITOR	100PF 5%			C 238	OW06-16106-02	E.CAPACITOR	10MF 16V	
	C 143	OW05-00103-00	C.CAPACITOR	0.01MF 10% 50V			C 239	OW05-02272-10	M.CAPACITOR	0.0027MF 10%	
	C 144	OW05-00101-06	C.CAPACITOR	100PF 5%			C 240	OW05-02682-10	M.CAPACITOR	0.0068MF 10%	
	C 145	OW05-00222-00	C.CAPACITOR	0.0022MF 50V			C 241	OW05-02102-10	M.CAPACITOR	0.001MF 10%	
	C 146	OW05-00300-06	C.CAPACITOR	30PF 5%			C 242	OW05-02102-10	M.CAPACITOR	0.001MF 10%	
	C 147	OW06-50335-02	E.CAPACITOR	3.3MF 50V			C 243	OW06-16107-02	E.CAPACITOR	100MF 16V	
	C 148	OW05-00223-00	C.CAPACITOR	0.022MF 10% 50V			C 250	OW05-00223-00	C.CAPACITOR	0.022MF 10% 50V	
	C 149	OW06-16227-02	E.CAPACITOR	220MF 16V			C 251	OW05-02102-10	M.CAPACITOR	0.001MF 10%	
	C 150	OW05-00223-00	C.CAPACITOR	0.022MF 10% 50V			C 301	OW05-00223-00	C.CAPACITOR	0.022MF 10% 50V	
	C 152	OW05-00102-00	C.CAPACITOR	0.001MF 10% 50V			C 302	OW06-16476-02	E.CAPACITOR	47MF 16V	
	C 153	OW05-00103-00	C.CAPACITOR	0.01MF 10% 50V			C 303	OW06-50475-02	E.CAPACITOR	4.7MF 50V	
	C 155	OW06-50105-02T	E.CAPACITOR	1MF 50V			C 304	OW06-50475-02	E.CAPACITOR	4.7MF 50V	
	C 156	OW05-00223-00	C.CAPACITOR	0.022MF 10% 50V			C 305	OW06-50475-02	E.CAPACITOR	4.7MF 50V	
	C 157	OW05-00300-06	C.CAPACITOR	30PF 5%			C 306	OW06-50475-02	E.CAPACITOR	4.7MF 50V	
	C 158	OW05-00300-06	C.CAPACITOR	30PF 5%			C 307	OW06-50475-00	E.CAPACITOR	4.7MF 50V	
	C 159	OW05-00223-00	C.CAPACITOR	0.022MF 10% 50V			C 308	OW06-50475-02	E.CAPACITOR	4.7MF 50V	
	C 160	OW06-16227-02	E.CAPACITOR	220MF 16V			C 309	OW06-50475-02	E.CAPACITOR	4.7MF 50V	
	C 161	OW05-00220-06	C.CAPACITOR	22PF 5%			C 310	OW06-50475-02	E.CAPACITOR	4.7MF 50V	
	C 162	OW05-00103-00	C.CAPACITOR	0.01MF 10% 50V			C 311	OW06-50225-02	E.CAPACITOR	2.2MF 50V	
	C 163	OW05-00470-06	C.CAPACITOR	47PF 5%			C 312	OW06-50225-00	E.CAPACITOR	2.2MF 50V	
	C 164	OW05-00200-06	C.CAPACITOR	20PF 5%			C 312	OW06-50225-02	E.CAPACITOR	2.2MF 50V	
	C 165	OW05-00104-00	C.CAPACITOR	0.1MF 10% 50V			C 313	OW05-00470-06	C.CAPACITOR	47PF 5%	
	C 166	OW05-00104-00	C.CAPACITOR	0.1MF 10% 50V			C 314	OW05-00470-06	C.CAPACITOR	47PF 5%	
	C 167	OW05-00104-00	C.CAPACITOR	0.1MF 10% 50V			C 320	OW06-50475-02	E.CAPACITOR	4.7MF 50V	
	C 168	OW05-00223-00	C.CAPACITOR	0.022MF 10% 50V			C 321	OW06-50475-02	E.CAPACITOR	4.7MF 50V	
	C 169	OW06-16227-02	E.CAPACITOR	220MF 16V			C 322	OW05-02104-10	M.CAPACITOR	0.1MF 10%	
	C 171	OW05-00223-00	C.CAPACITOR	0.022MF 10% 50V			C 323	OW05-02104-10	M.CAPACITOR	0.1MF 10%	
	C 190	OW05-00102-00	C.CAPACITOR	0.001MF 10% 50V			C 324	OW06-50105-90	E.CAPACITOR	1MF 10% 50V	
	C 201	OW05-00151-00	C.CAPACITOR	150PF			C 325	OW06-50105-90	E.CAPACITOR	1MF 10% 50V	
	C 202	OW05-02182-10	M.CAPACITOR	0.0018MF 10%			C 326	OW06-50475-02	E.CAPACITOR	4.7MF 50V	
	C 203	OW06-50105-02T	E.CAPACITOR	1MF 50V			C 328	OW05-02103-10	M.CAPACITOR	0.01MF 10%	
	C 204	OW06-16227-02	E.CAPACITOR	220MF 16V			C 329	OW05-02103-10	M.CAPACITOR	0.01MF 10%	
	C 205	OW05-02102-10	M.CAPACITOR	0.001MF 10%			C 330	OW06-16227-02	E.CAPACITOR	220MF 16V	
	C 206	OW05-02102-10	M.CAPACITOR	0.001MF 10%			C 331	OW05-00104-00	C.CAPACITOR	0.1MF 10% 50V	
	C 207	OW06-50475-02	E.CAPACITOR	4.7MF 50V			C 332	OW06-16337-02	E.CAPACITOR	330MF 16V	
	C 208	OW06-16227-02	E.CAPACITOR	220MF 16V			C 334	OW06-16227-02	E.CAPACITOR	220MF 16V	

■ Electrical parts list (Main board)

Block No. 01

△	Item	Parts number	Parts name	Remarks	Area
	C 335	OW05-00223-00	C.CAPACITOR	0.022MF 10% 50V	
	C 336	OW06-16476-02	E.CAPACITOR	47MF 16V	
	C 341	OW06-16107-02	E.CAPACITOR	100MF 16V	
	C 342	OW05-00104-00	C.CAPACITOR	0.1MF 10% 50V	
	C 343	OW06-25107-00T	E.CAPACITOR	100MF 25V	
	C 344	OW06-25228-00	E.CAPACITOR	2200MF 25V	
	C 401	OW06-50225-02	E.CAPACITOR	2.2MF 50V	
	C 402	OW06-50225-02	E.CAPACITOR	2.2MF 50V	
	C 403	OW05-00331-00	C.CAPACITOR	330PF	
	C 404	OW05-00331-00	C.CAPACITOR	330PF	
	C 405	OW06-16106-02	E.CAPACITOR	10MF 16V	
	C 406	OW06-50225-02	E.CAPACITOR	2.2MF 50V	
	C 407	OW06-50225-02	E.CAPACITOR	2.2MF 50V	
	C 408	OW06-25107-00T	E.CAPACITOR	100MF 25V	
	C 409	OW06-25107-00T	E.CAPACITOR	100MF 25V	
	C 410	OW05-02104-10	M.CAPACITOR	0.1MF 10%	
	C 411	OW05-02104-10	M.CAPACITOR	0.1MF 10%	
	C 412	OW06-25108-00	E.CAPACITOR	1000MF 25V	
	C 413	OW06-25108-00	E.CAPACITOR	1000MF 25V	
	C 414	OW06-50107-02	E.CAPACITOR	100MF 50V	
△	C 415	OW06-50228-00	E.CAPACITOR	2200MF 20% 50V	
	C 416	OW05-07104-00	C.CAPACITOR	0.1MF 50V	
	C 417	OW06-16107-02	E.CAPACITOR	100MF 16V	
	C 420	OW06-50225-02	E.CAPACITOR	2.2MF 50V	
	C 421	OW06-50225-02	E.CAPACITOR	2.2MF 50V	
	C 422	OW06-16476-02	E.CAPACITOR	47MF 16V	
	C 423	OW05-00101-06	C.CAPACITOR	100PF 5%	
	C 424	OW05-00101-06	C.CAPACITOR	100PF 5%	
	C 425	OW05-00101-06	C.CAPACITOR	100PF 5%	
	C 426	OW05-00101-06	C.CAPACITOR	100PF 5%	
	C 427	OW06-16476-02	E.CAPACITOR	47MF 16V	
	C 428	OW06-16476-02	E.CAPACITOR	47MF 16V	
	C 429	OW06-16227-02	E.CAPACITOR	220MF 16V	
	C 430	OW06-16227-02	E.CAPACITOR	220MF 16V	
	C 431	OW05-00223-00	C.CAPACITOR	0.022MF 10% 50V	
	C 432	OW06-35227-00	E.CAPACITOR	220MF 35V	
	C 433	OW05-00101-06	C.CAPACITOR	100PF 5%	
	C 434	OW05-00101-06	C.CAPACITOR	100PF 5%	
	C 435	OW06-35107-00	E.CAPACITOR	100MF 35V	
	C 436	OW06-50106-02	E.CAPACITOR	10MF 50V	
	C 437	OW06-16476-02	E.CAPACITOR	47MF 16V	
	CF101	OW09-50450-00J	CERAMIC FILTER	SFU450B 450HK2	
	CF102	OW09-50107-20J	CERAMIC FILTER	LT10.7MS3 (RED)	
	CF103	OW09-50107-07J	CERAMIC FILTER	JT10.7MG82	
	CN101	OW20-12020-01K	CONNECTOR	P=2.5MM 2PIN	
	CN102	OW20-41102-27	CONNECTOR	P=2MM 10PIN	
	CN201	OW20-11070-00	CONNECTOR	P=2MM 7PIN	
	CN301	OW20-41082-34	CONNECTOR	P=2MM 8PIN	
	CN302	OW20-61033-24	CONNECTOR	3PIN	
	CN303	OW20-42041-40	CONNECTOR	P=2.5MM 4PIN	
	CN401	OW12-00006-00Q	SPK.TERMINAL	WP-4112AE (050)	
	CN402	OW20-11040-00	CONNECTOR	P=2MM 4PIN	
	D 101	OW02-00348-00	TUNING DIODE	SVC348-S	
	D 103	OW02-00201-00	TUNING DIODE	SVC201SPA	
	D 104	OW02-00201-00	TUNING DIODE	SVC201SPA	
	D 105	OW02-04148-00R	DIODE	IN4148	
	D 108	OW02-04148-00R	DIODE	IN4148	
	D 109	OW02-04148-00R	DIODE	IN4148	
	D 110	OW02-04148-00R	DIODE	IN4148	
	D 111	OW02-04148-00R	DIODE	IN4148	
	D 201	OW02-04148-00R	DIODE	IN4148	
	D 202	OW02-04148-00R	DIODE	IN4148	

△	Item	Parts number	Parts name	Remarks	Area
	D 301	OW02-04148-00R	DIODE	IN4148	
	D 302	OW02-04148-00R	DIODE	IN4148	
	D 303	OW02-04148-00R	DIODE	IN4148	
	D 401	OW02-04148-00R	DIODE	IN4148	
	D 402	OW02-04148-00R	DIODE	IN4148	
	D 404	OW02-04148-00R	DIODE	IN4148	
	IC101	OW03-02104-01	IC	TA2104BN	
	IC102	OW03-09257-01	IC	TC9257F	
	IC201	OW03-01330-00	IC	UPC1330HA	
	IC202	OW03-07312-00	IC	AN7312	
	IC301	OW03-09422-00	IC	TC9422F	
	IC302	OW03-07812-00	IC	NJM7812A	
△	IC401	OW03-04282-00	IC	LA4282	
	IC402	OW03-04558-03	IC	BA4558N	
	L 101	OW08-01014-02	IFT RED	1A1014N	
	L 102	OW08-45635-00	AM ANT COIL	MRHNF-45635GG	
	L 105	OW09-45045-00	FM COIL	D4.5X4.5T 0.8MM	
	L 106	OW09-02750-05	FM OSC.COIL	2422 549 43772	
	L 107	OW09-70101-00	INDUCTOR	10MH	
	L 108	OW09-70101-00	INDUCTOR	10MH	
	L 201	OW09-40474-00W	CHOKO COIL	47MH D6X8MM	
	L 202	OW09-40474-00W	CHOKO COIL	47MH D6X8MM	
	L 203	OW08-07163-00	OSC COIL	7LIA63N BIAS	
	Q 113	OW01-00945-06	TRANSISTOR	2SC945P	
	Q 114	OW01-00945-06	TRANSISTOR	2SC945P	
	Q 115	OW01-00945-06	TRANSISTOR	2SC945P	
	Q 117	OW01-00733-16	TRANSISTOR	2SA733P	
	Q 118	OW01-00945-06	TRANSISTOR	2SC945P	
	Q 119	OW01-09018-07	TRANSISTOR	9018G	
	Q 120	OW01-00945-06	TRANSISTOR	2SC945P	
	Q 121	OW01-00945-06	TRANSISTOR	2SC945P	
	Q 122	OW01-00945-06	TRANSISTOR	2SC945P	
	Q 123	OW01-00945-06	TRANSISTOR	2SC945P	
	Q 124	OW01-00945-06	TRANSISTOR	2SC945P	
	Q 201	OW01-08050-04S	TRANSISTOR	8050D	
	Q 202	OW01-00945-06	TRANSISTOR	2SC945P	
	Q 203	OW01-00945-06	TRANSISTOR	2SC945P	
	Q 204	OW01-00945-06	TRANSISTOR	2SC945P	
	Q 205	OW01-00945-06	TRANSISTOR	2SC945P	
	Q 206	OW01-08050-04S	TRANSISTOR	8050D	
	Q 207	OW01-00945-06	TRANSISTOR	2SC945P	
	Q 208	OW01-00945-06	TRANSISTOR	2SC945P	
	Q 209	OW01-00945-06	TRANSISTOR	2SC945P	
	Q 210	OW01-00945-06	TRANSISTOR	2SC945P	
	Q 211	OW01-00733-16	TRANSISTOR	2SA733P	
	Q 212	OW01-00945-06	TRANSISTOR	2SC945P	
	Q 213	OW01-00945-06	TRANSISTOR	2SC945P	
	Q 214	OW01-00945-06	TRANSISTOR	2SC945P	
	Q 215	OW01-00945-06	TRANSISTOR	2SC945P	
	Q 301	OW01-00945-06	TRANSISTOR	2SC945P	
	Q 302	OW01-00945-06	TRANSISTOR	2SC945P	
	Q 303	OW01-01383-18	TRANSISTOR	2SC1383R	
	Q 304	OW01-00945-06	TRANSISTOR	2SC945P	
	Q 305	OW01-01240-00	TRANSISTOR	2SB1240Q	
	Q 401	OW01-08050-04S	TRANSISTOR	8050D	
	Q 402	OW01-08050-04S	TRANSISTOR	8050D	
	Q 403	OW01-00733-16	TRANSISTOR	2SA733P	
	Q 404	OW01-08050-04S	TRANSISTOR	8050D	
	Q 405	OW01-08050-04S	TRANSISTOR	8050D	
	Q 406	OW01-08050-04S	TRANSISTOR	8050D	
	Q 409	OW01-00945-06	TRANSISTOR	2SC945P	
	Q 410	OW01-00945-06	TRANSISTOR	2SC945P	
	Q 411	OW01-00733-16	TRANSISTOR	2SA733P	

■ Electrical parts list (Main board)

Block No. 01

△	Item	Parts number	Parts name	Remarks	Area	△	Item	Parts number	Parts name	Remarks	Area
	R 102	OW07-15104-50T	CARBON RESISTOR	100K 1/8W 5%			R 219	OW07-15273-50T	CARBON RESISTOR	27K 1/8W 5%	
	R 103	OW07-15104-50T	CARBON RESISTOR	100K 1/8W 5%			R 220	OW07-15102-50T	CARBON RESISTOR	1K 1/8W 5%	
	R 121	OW07-15473-50T	CARBON RESISTOR	47K 1/8W 5%			R 221	OW07-15221-50T	CARBON RESISTOR	220 1/8W 5%	
	R 122	OW07-15473-50T	CARBON RESISTOR	47K 1/8W 5%			R 222	OW07-15183-50T	CARBON RESISTOR	18K 1/8W 5%	
	R 123	OW07-15202-50T	CARBON RESISTOR	2K 1/8W 5%			R 223	OW07-15333-50T	CARBON RESISTOR	33K 1/8W 5%	
	R 124	OW07-15180-50T	CARBON RESISTOR	18 1/8W 5%			R 224	OW07-15331-50T	CARBON RESISTOR	330 1/8W 5%	
	R 125	OW07-15203-50T	CARBON RESISTOR	20K 1/8W 5%			R 225	OW07-15101-00	CARBON RESISTOR	100 1/4W	
	R 126	OW07-15332-50T	CARBON RESISTOR	3.3K 1/8W 5%			R 226	OW07-15102-50T	CARBON RESISTOR	1K 1/8W 5%	
	R 127	OW07-15331-50T	CARBON RESISTOR	330 1/8W 5%			R 227	OW07-15180-50T	CARBON RESISTOR	18 1/8W 5%	
	R 128	OW07-15153-50T	CARBON RESISTOR	15K 1/8W 5%			R 228	OW07-15103-50T	CARBON RESISTOR	10K 1/8W 5%	
	R 129	OW07-15153-50T	CARBON RESISTOR	15K 1/8W 5%			R 229	OW07-15153-50T	CARBON RESISTOR	15K 1/8W 5%	
	R 130	OW07-15183-50T	CARBON RESISTOR	18K 1/8W 5%			R 231	OW07-15472-50T	CARBON RESISTOR	4.7K 1/8W 5%	
	R 131	OW07-15183-50T	CARBON RESISTOR	18K 1/8W 5%			R 232	OW07-15333-50T	CARBON RESISTOR	33K 1/8W 5%	
	R 135	OW07-15104-50T	CARBON RESISTOR	100K 1/8W 5%			R 233	OW07-15221-00	CARBON RESISTOR	220 1/4W	
	R 136	OW07-15223-50T	CARBON RESISTOR	22K 1/8W 5%			R 234	OW07-15153-50T	CARBON RESISTOR	15K 1/8W 5%	
	R 137	OW07-15332-50T	CARBON RESISTOR	3.3K 1/8W 5%			R 235	OW07-15102-50T	CARBON RESISTOR	1K 1/8W 5%	
	R 138	OW07-15472-50T	CARBON RESISTOR	4.7K 1/8W 5%			R 236	OW07-15103-50T	CARBON RESISTOR	10K 1/8W 5%	
	R 139	OW07-15221-50T	CARBON RESISTOR	220 1/8W 5%			R 237	OW07-15823-50T	CARBON RESISTOR	82K 1/8W 5%	
	R 142	OW07-15473-50T	CARBON RESISTOR	47K 1/8W 5%			R 238	OW07-15511-50T	CARBON RESISTOR	510 1/8W 5%	
	R 143	OW07-15563-50T	CARBON RESISTOR	56K 1/8W 5%			R 239	OW07-15823-50T	CARBON RESISTOR	82K 1/8W 5%	
	R 144	OW07-15103-50T	CARBON RESISTOR	10K 1/8W 5%			R 240	OW07-15047-50T	CARBON RESISTOR	4.7 1/8W 5%	
	R 145	OW07-15103-50T	CARBON RESISTOR	10K 1/8W 5%			R 241	OW07-15273-50T	CARBON RESISTOR	27K 1/8W 5%	
	R 146	OW07-15820-50T	CARBON RESISTOR	82 1/8W 5%			R 242	OW07-15100-50T	CARBON RESISTOR	10 1/8W 5%	
	R 147	OW07-15102-50T	CARBON RESISTOR	1K 1/8W 5%			R 243	OW07-15103-50T	CARBON RESISTOR	10K 1/8W 5%	
	R 148	OW07-15101-50T	CARBON RESISTOR	100 1/8W 5%			R 244	OW07-15104-50T	CARBON RESISTOR	100K 1/8W 5%	
	R 149	OW07-15471-50T	CARBON RESISTOR	470 1/8W 5%			R 245	OW07-15103-50T	CARBON RESISTOR	10K 1/8W 5%	
	R 150	OW07-15333-50T	CARBON RESISTOR	33K 1/8W 5%			R 246	OW07-15333-50T	CARBON RESISTOR	33K 1/8W 5%	
	R 151	OW07-15104-50T	CARBON RESISTOR	100K 1/8W 5%			R 247	OW07-15103-50T	CARBON RESISTOR	10K 1/8W 5%	
	R 152	OW07-15102-50T	CARBON RESISTOR	1K 1/8W 5%			R 248	OW07-15102-50T	CARBON RESISTOR	1K 1/8W 5%	
	R 153	OW07-15152-50T	CARBON RESISTOR	1.5K 1/8W 5%			R 249	OW07-15472-50T	CARBON RESISTOR	4.7K 1/8W 5%	
	R 154	OW07-15472-50T	CARBON RESISTOR	4.7K 1/8W 5%			R 250	OW07-15103-50T	CARBON RESISTOR	10K 1/8W 5%	
	R 155	OW07-15102-50T	CARBON RESISTOR	1K 1/8W 5%			R 251	OW07-15104-50T	CARBON RESISTOR	100K 1/8W 5%	
	R 156	OW07-15472-50T	CARBON RESISTOR	4.7K 1/8W 5%			R 252	OW07-15103-50T	CARBON RESISTOR	10K 1/8W 5%	
	R 157	OW07-15561-50T	CARBON RESISTOR	560 1/8W 5%			R 253	OW07-15223-50T	CARBON RESISTOR	22K 1/8W 5%	
	R 158	OW07-15152-50T	CARBON RESISTOR	1.5K 1/8W 5%			R 254	OW07-15223-50T	CARBON RESISTOR	22K 1/8W 5%	
	R 159	OW07-15221-50T	CARBON RESISTOR	220 1/8W 5%			R 255	OW07-15103-50T	CARBON RESISTOR	10K 1/8W 5%	
	R 160	OW07-15103-50T	CARBON RESISTOR	10K 1/8W 5%			R 256	OW07-15473-50T	CARBON RESISTOR	47K 1/8W 5%	
	R 161	OW07-15103-50T	CARBON RESISTOR	10K 1/8W 5%			R 257	OW07-15104-50T	CARBON RESISTOR	100K 1/8W 5%	
	R 162	OW07-15103-50T	CARBON RESISTOR	10K 1/8W 5%			R 258	OW07-15104-50T	CARBON RESISTOR	100K 1/8W 5%	
	R 163	OW07-15103-50T	CARBON RESISTOR	10K 1/8W 5%			R 301	OW07-15680-50T	CARBON RESISTOR	68 1/8W 5%	
	R 164	OW07-15102-50T	CARBON RESISTOR	1K 1/8W 5%			R 302	OW07-15471-50T	CARBON RESISTOR	470 1/8W 5%	
	R 165	OW07-15102-50T	CARBON RESISTOR	1K 1/8W 5%			R 303	OW07-15394-50T	CARBON RESISTOR	390K 1/8W 5%	
	R 166	OW07-15102-50T	CARBON RESISTOR	1K 1/8W 5%			R 304	OW07-15681-50T	CARBON RESISTOR	680 1/8W 5%	
	R 170	OW07-15102-50T	CARBON RESISTOR	1K 1/8W 5%			R 306	OW07-15222-50T	CARBON RESISTOR	2.2K 1/8W 5%	
	R 178	OW07-15220-50T	CARBON RESISTOR	22 1/8W 5%			R 307	OW07-15471-50T	CARBON RESISTOR	470 1/8W 5%	
	R 201	OW07-15183-50T	CARBON RESISTOR	18K 1/8W 5%			R 308	OW07-15394-50T	CARBON RESISTOR	390K 1/8W 5%	
	R 202	OW07-15102-50T	CARBON RESISTOR	1K 1/8W 5%			R 309	OW07-15472-50T	CARBON RESISTOR	4.7K 1/8W 5%	
	R 203	OW07-15333-50T	CARBON RESISTOR	33K 1/8W 5%			R 310	OW07-15681-50T	CARBON RESISTOR	680 1/8W 5%	
	R 204	OW07-15180-50T	CARBON RESISTOR	18 1/8W 5%			R 312	OW07-15472-50T	CARBON RESISTOR	4.7K 1/8W 5%	
	R 205	OW07-15333-50T	CARBON RESISTOR	33K 1/8W 5%			R 313	OW07-15471-50T	CARBON RESISTOR	470 1/8W 5%	
	R 206	OW07-15472-50T	CARBON RESISTOR	4.7K 1/8W 5%			R 314	OW07-05100-00	CARBON RESISTOR	10 1/4W	
	R 207	OW07-15103-50T	CARBON RESISTOR	10K 1/8W 5%			R 315	OW07-15561-50T	CARBON RESISTOR	560 1/8W 5%	
	R 208	OW07-15153-50T	CARBON RESISTOR	15K 1/8W 5%			R 320	OW07-15222-50T	CARBON RESISTOR	2.2K 1/8W 5%	
	R 209	OW07-15684-50T	CARBON RESISTOR	680K 1/8W 5%			R 341	OW07-15103-50T	CARBON RESISTOR	10K 1/8W 5%	
	R 210	OW07-15153-50T	CARBON RESISTOR	15K 1/8W 5%			R 345	OW07-15104-50T	CARBON RESISTOR	100K 1/8W 5%	
	R 211	OW07-15333-50T	CARBON RESISTOR	33K 1/8W 5%			R 346	OW07-15473-50T	CARBON RESISTOR	47K 1/8W 5%	
	R 212	OW07-15823-50T	CARBON RESISTOR	82K 1/8W 5%			R 347	OW07-15102-50T	CARBON RESISTOR	1K 1/8W 5%	
	R 213	OW07-15103-50T	CARBON RESISTOR	10K 1/8W 5%			R 351	OW07-15123-50T	CARBON RESISTOR	12K 1/8W 5%	
	R 214	OW07-15473-50T	CARBON RESISTOR	47K 1/8W 5%			R 352	OW07-15123-50T	CARBON RESISTOR	12K 1/8W 5%	
	R 215	OW07-15511-50T	CARBON RESISTOR	510 1/8W 5%			R 353	OW07-15222-50T	CARBON RESISTOR	2.2K 1/8W 5%	
	R 216	OW07-15823-50T	CARBON RESISTOR	82K 1/8W 5%			R 354	OW07-15222-50T	CARBON RESISTOR	2.2K 1/8W 5%	
	R 217	OW07-15010-50T	CARBON RESISTOR	1 1/8W 5%			R 401	OW07-15273-50T	CARBON RESISTOR	27K 1/8W 5%	
	R 218	OW07-15273-50T	CARBON RESISTOR	27K 1/8W 5%			R 402	OW07-15273-50T	CARBON RESISTOR	27K 1/8W 5%	

■ Electrical parts list (Main board)

Block No. 01

△	Item	Parts number	Parts name	Remarks	Area
	R 403	OW07-15103-50T	CARBON RESISTOR	10K 1/8W 5%	
	R 404	OW07-15103-50T	CARBON RESISTOR	10K 1/8W 5%	
	R 405	OW07-15222-50T	CARBON RESISTOR	2.2K 1/8W 5%	
	R 406	OW07-15223-50T	CARBON RESISTOR	22K 1/8W 5%	
	R 407	OW07-15103-50T	CARBON RESISTOR	10K 1/8W 5%	
	R 408	OW07-15103-50T	CARBON RESISTOR	10K 1/8W 5%	
	R 409	OW07-05022-00	CARBON RESISTOR	2.2 1/4W	
	R 410	OW07-05022-00	CARBON RESISTOR	2.2 1/4W	
	R 411	OW07-15102-00	CARBON RESISTOR	1K 1/4W 5%	
	R 412	OW07-15102-00	CARBON RESISTOR	1K 1/4W 5%	
	R 413	OW07-15103-50T	CARBON RESISTOR	10K 1/8W 5%	
	R 414	OW07-15103-50T	CARBON RESISTOR	10K 1/8W 5%	
	R 415	OW07-15103-50T	CARBON RESISTOR	10K 1/8W 5%	
	R 416	OW07-15103-50T	CARBON RESISTOR	10K 1/8W 5%	
	R 417	OW07-15103-50T	CARBON RESISTOR	10K 1/8W 5%	
	R 418	OW07-15334-50T	CARBON RESISTOR	330K 1/8W 5%	
	R 419	OW07-15334-50T	CARBON RESISTOR	330K 1/8W 5%	
	R 420	OW07-15473-50T	CARBON RESISTOR	47K 1/8W 5%	
	R 421	OW07-15473-50T	CARBON RESISTOR	47K 1/8W 5%	
	R 422	OW07-15103-50T	CARBON RESISTOR	10K 1/8W 5%	
	R 423	OW07-15103-50T	CARBON RESISTOR	10K 1/8W 5%	
	R 424	OW07-15223-50T	CARBON RESISTOR	22K 1/8W 5%	
	R 425	OW07-15223-50T	CARBON RESISTOR	22K 1/8W 5%	
	R 426	OW07-15272-50T	CARBON RESISTOR	2.7K 1/8W 5%	
	R 427	OW07-15272-50T	CARBON RESISTOR	2.7K 1/8W 5%	
	R 428	OW07-15221-50T	CARBON RESISTOR	220 1/8W 5%	
	R 429	OW07-15221-50T	CARBON RESISTOR	220 1/8W 5%	
	R 430	OW07-15104-50T	CARBON RESISTOR	100K 1/8W 5%	
	R 431	OW07-15103-50T	CARBON RESISTOR	10K 1/8W 5%	
	R 432	OW07-15103-50T	CARBON RESISTOR	10K 1/8W 5%	
	R 435	OW07-15122-50T	CARBON RESISTOR	1.2K 1/8W 5%	
	R 436	OW07-15100-50T	CARBON RESISTOR	10 1/8W 5%	
	R 439	OW07-15103-50T	CARBON RESISTOR	10K 1/8W 5%	
	R 440	OW07-15104-50T	CARBON RESISTOR	100K 1/8W 5%	
	R 441	OW07-15104-50T	CARBON RESISTOR	100K 1/8W 5%	
	R 442	OW07-15104-50T	CARBON RESISTOR	100K 1/8W 5%	
	R 443	OW07-15101-50T	CARBON RESISTOR	100 1/8W 5%	
	R 448	OW07-15103-50T	CARBON RESISTOR	10K 1/8W 5%	
	R 449	OW07-15223-50T	CARBON RESISTOR	22K 1/8W 5%	
	R 450	OW07-15472-50T	CARBON RESISTOR	4.7K 1/8W 5%	
	R 451	OW07-15472-50T	CARBON RESISTOR	4.7K 1/8W 5%	
	R 452	OW07-15103-50T	CARBON RESISTOR	10K 1/8W 5%	
	T 101	OW08-00332-24C	IFT	810017 YELLOW	
	TC101	OW05-08100-02	TRIMMER	10PF	
	TC102	OW05-08100-02	TRIMMER	10PF	
	X 101	OW04-07200-05	CRYSTAL	7.2MHZ HC-49M 30PPM	
	Z 101	OW02-50100-00	ZENER DIODE	10V 0.5W	
	Z 301	OW02-50091-00	ZENER DIODE	901V 0.5W	
	Z 401	OW02-50270-00	ZENER DIODE	27V 0.5W	

■ Electrical parts list (Power board)

Block No. 02

△	Item	Parts number	Parts name	Remarks	Area
	C 901	OW05-00203-82	C.CAPACITOR	0.02MF +80/-20%	
	C 902	OW05-00203-82	C.CAPACITOR	0.02MF +80/-20%	
	C 903	OW05-00203-82	C.CAPACITOR	0.02MF +80/-20%	
	C 904	OW05-00203-82	C.CAPACITOR	0.02MF +80/-20%	
	C 905	OW05-00203-82	C.CAPACITOR	0.02MF +80/-20%	
	C 906	OW05-00203-82	C.CAPACITOR	0.02MF +80/-20%	
	C 907	OW05-00203-82	C.CAPACITOR	0.02MF +80/-20%	
	C 908	OW05-00203-82	C.CAPACITOR	0.02MF +80/-20%	
	C 909	OW05-00104-01T	C.CAPACITOR	0.1/100V 10%	
	C 910	OW05-00104-01T	C.CAPACITOR	0.1/100V 10%	
	C 911	OW05-00104-01T	C.CAPACITOR	0.1/100V 10%	
	C 912	OW05-00104-01T	C.CAPACITOR	0.1/100V 10%	
	C 913	OW05-00203-82	C.CAPACITOR	0.02MF +80/-20%	
	C 914	OW05-00203-82	C.CAPACITOR	0.02MF +80/-20%	
	C 915	OW05-00203-82	C.CAPACITOR	0.02MF +80/-20%	
	C 916	OW05-00203-82	C.CAPACITOR	0.02MF +80/-20%	
△	C 917	OW06-16477-00	E.CAPACITOR	470MF 16V	
△	C 918	OW06-25477-00	E.CAPACITOR	470MF 25V	
△	C 919	OW06-50477-00	E.CAPACITOR	470MF 20% 50V	
△	C 920	OW06-25477-00	E.CAPACITOR	470MF 25V	
	C 921	OW06-16336-00	E.CAPACITOR	33MF 16V	
	C 922	OW05-00203-82	C.CAPACITOR	0.02MF +80/-20%	
	C 923	OW05-00203-82	C.CAPACITOR	0.02MF +80/-20%	
	C 924	OW05-00203-82	C.CAPACITOR	0.02MF +80/-20%	
	CN403	OW20-41042-26	CONNECTOR	P=2MM 4PIN	
	CN705	OW20-41022-25	CONNECTOR	P=2MM 2PIN	
	CN901	OW20-12040-00	CONNECTOR	P=2.5MM 4PIN	
	CN902	OW20-12030-00	CONNECTOR	P=2.5MM 3PIN	
	CN903	OW20-42021-45	CONNECTOR	P=2.5MM 2PIN	
△	D 901	OW02-04001-00	DIODE	1N4001	
△	D 902	OW02-04001-00	DIODE	1N4001	
△	D 903	OW02-04001-00	DIODE	1N4001	
△	D 904	OW02-04001-00	DIODE	1N4001	
△	D 905	OW02-04001-00	DIODE	1N4001	
△	D 906	OW02-04001-00	DIODE	1N4001	
△	D 907	OW02-04001-00	DIODE	1N4001	
△	D 908	OW02-04001-00	DIODE	1N4001	
△	D 909	OW02-00202-00	DIODE	RL202	
△	D 910	OW02-00202-00	DIODE	RL202	
△	D 911	OW02-00202-00	DIODE	RL202	
△	D 912	OW02-00202-00	DIODE	RL202	
△	D 913	OW02-04001-00	DIODE	1N4001	
△	D 914	OW02-04001-00	DIODE	1N4001	
△	D 915	OW02-04001-00	DIODE	1N4001	
△	D 916	OW02-04001-00	DIODE	1N4001	
△	D 917	OW02-04001-00	DIODE	1N4001	
	D 918	OW02-04148-00R	DIODE	1N4148	
△	F 901	OW33-57102-02	FUSE	1A 250V S506	
△	F 902	OW33-57202-02B	FUSE	2A 250V	
△	F 903	OW33-57102-02	FUSE	1A 250V S506	
	HF901	OW39-10001-00A	FUSE HOLDER	C2680	
	HF902	OW39-10001-00A	FUSE HOLDER	C2680	
	HF903	OW39-10001-00A	FUSE HOLDER	C2680	
	Q 901	OW01-00733-16	TRANSISTOR	2SA733P	
	Q 902	OW01-00945-16	TRANSISTOR	2SC945P	
	R 901	OW07-15472-50T	CARBON RESISTOR	4.7K 1/8W 5%	
	R 902	OW07-15473-50T	CARBON RESISTOR	47K 1/8W 5%	
	R 903	OW07-15473-50T	CARBON RESISTOR	47K 1/8W 5%	
	R 904	OW07-15152-50T	CARBON RESISTOR	1.5K 1/8W 5%	
	R 905	OW07-15680-00	CARBON RESISTOR	68 1/4W 5%	
△	RL901	OW16-50105-00	RERAY SWITCH	SH-105LM	
△	TR901	OW15-80003-01	P.TRANS	EI-28 T28-012200500	

■ Electrical parts list (Key switch board)

Block No. 03

△	Item	Parts number	Parts name	Remarks	Area
	C 801	OW06-10476-00S	E.CAPACITOR	47MF 10V	
	C 802	OW05-00203-82	C.CAPACITOR	0.02MF +80/-20%	
	C 803	OW05-00203-82	C.CAPACITOR	0.02MF +80/-20%	
	CN801	OW20-41032-17	CONNECTOR	P=2MM 3PIN	
	CN802	OW20-41062-26	CONNECTOR	P=2MM 6PIN	
	D 801	OW02-30004-15	LED	3G4SC-6	
	D 802	OW02-30004-15	LED	3G4SC-6	
	D 803	OW02-30004-15	LED	3G4SC-6	
	D 804	OW02-50000-10D	LED	L-59EGW	
	D 805	OW02-50000-10D	LED	L-59EGW	
	D 806	OW02-50000-10D	LED	L-59EGW	
	D 807	OW02-04148-00R	DIODE	IN4148	
	D 808	OW02-04148-00R	DIODE	IN4148	
	D 809	OW02-04148-00R	DIODE	IN4148	
	D 810	OW02-04148-00R	DIODE	IN4148	
	D 811	OW02-30004-15	LED	3G4SC-6	
	D 812	OW02-30004-15	LED	3G4SC-6	
	Q 801	OW01-00945-16	TRANSISTOR	2SC945P	
	Q 802	OW01-00733-16	TRANSISTOR	2SA733P	
	Q 803	OW01-00945-16	TRANSISTOR	2SC945P	
	Q 804	OW01-00733-16	TRANSISTOR	2SA733P	
	Q 805	OW01-00945-16	TRANSISTOR	2SC945P	
	Q 806	OW01-00733-16	TRANSISTOR	2SA733P	
	R 801	OW07-15103-50T	CARBON RESISTOR	10K 1/8W 5%	
	R 802	OW07-15103-50T	CARBON RESISTOR	10K 1/8W 5%	
	R 803	OW07-15101-50T	CARBON RESISTOR	100 1/8W 5%	
	R 804	OW07-15121-50T	CARBON RESISTOR	120 1/8W 5%	
	R 805	OW07-15103-50T	CARBON RESISTOR	10K 1/8W 5%	
	R 806	OW07-15103-50T	CARBON RESISTOR	10K 1/8W 5%	
	R 807	OW07-15101-50T	CARBON RESISTOR	100 1/8W 5%	
	R 808	OW07-15121-50T	CARBON RESISTOR	120 1/8W 5%	
	R 809	OW07-15103-50T	CARBON RESISTOR	10K 1/8W 5%	
	R 810	OW07-15103-50T	CARBON RESISTOR	10K 1/8W 5%	
	R 811	OW07-15121-50T	CARBON RESISTOR	120 1/8W 5%	
	R 812	OW07-15101-50T	CARBON RESISTOR	100 1/8W 5%	
	R 813	OW07-15750-50T	CARBON RESISTOR	75 1/8W 5%	
	R 814	OW07-15471-50T	CARBON RESISTOR	470 1/8W 5%	
	R 815	OW07-15152-50T	CARBON RESISTOR	1.5K 1/8W 5%	
	R 816	OW07-15102-50T	CARBON RESISTOR	1K 1/8W 5%	
	R 817	OW07-15272-50T	CARBON RESISTOR	2.7K 1/8W 5%	
	R 818	OW07-15562-50T	CARBON RESISTOR	5.6K 1/8W 5%	
	R 819	OW07-15682-50T	CARBON RESISTOR	6.8K 1/8W 5%	
	R 820	OW07-15333-50T	CARBON RESISTOR	33K 1/8W 5%	
	R 821	OW07-15273-50T	CARBON RESISTOR	27K 1/8W 5%	
	R 822	OW07-15823-50T	CARBON RESISTOR	82K 1/8W 5%	
	R 823	OW07-15750-50T	CARBON RESISTOR	75 1/8W 5%	
	R 824	OW07-15471-50T	CARBON RESISTOR	470 1/8W 5%	
	R 825	OW07-15681-50T	CARBON RESISTOR	680 1/8W 5%	
	R 826	OW07-15182-50T	CARBON RESISTOR	1.8K 1/8W 5%	
	R 827	OW07-15912-50T	CARBON RESISTOR	9.1K 1/8W 5%	
	R 828	OW07-15392-50T	CARBON RESISTOR	3.9K 1/8W 5%	
	R 829	OW07-15822-50T	CARBON RESISTOR	8.2K 1/8W 5%	
	R 830	OW07-15153-50T	CARBON RESISTOR	15K 1/8W 5%	
	R 831	OW07-15273-50T	CARBON RESISTOR	27K 1/8W 5%	
	R 832	OW07-15823-50T	CARBON RESISTOR	82K 1/8W 5%	
	R 833	OW07-15100-50T	CARBON RESISTOR	10 1/8W 5%	
	R 834	OW07-15103-50T	CARBON RESISTOR	10K 1/8W 5%	
	R 835	OW07-15103-50T	CARBON RESISTOR	10K 1/8W 5%	
	R 836	OW07-15103-50T	CARBON RESISTOR	10K 1/8W 5%	
	R 837	OW07-15560-50T	CARBON RESISTOR	56 1/8W 5%	
	R 841	OW07-15680-50T	CARBON RESISTOR	68 1/8W 5%	
	SEN81	OW02-66938-00	SENSORE	RPM6938-V4	
	SW801	OW16-10101-08S	TACT SWITCH	EVQJAE05R	

△	Item	Parts number	Parts name	Remarks	Area
	SW802	OW16-10101-08S	TACT SWITCH	EVQJAE05R	
	SW803	OW16-10101-08S	TACT SWITCH	EVQJAE05R	
	SW804	OW16-10101-08S	TACT SWITCH	EVQJAE05R	
	SW805	OW16-10101-08S	TACT SWITCH	EVQJAE05R	
	SW806	OW16-10101-08S	TACT SWITCH	EVQJAE05R	
	SW807	OW16-10101-08S	TACT SWITCH	EVQJAE05R	
	SW808	OW16-10101-08S	TACT SWITCH	EVQJAE05R	
	SW809	OW16-10101-08S	TACT SWITCH	EVQJAE05R	
	SW810	OW16-10101-08S	TACT SWITCH	EVQJAE05R	
	SW811	OW16-10101-08S	TACT SWITCH	EVQJAE05R	
	SW812	OW16-10101-08S	TACT SWITCH	EVQJAE05R	
	SW813	OW16-10101-08S	TACT SWITCH	EVQJAE05R	
	SW814	OW16-10101-08S	TACT SWITCH	EVQJAE05R	
	SW815	OW16-10101-08S	TACT SWITCH	EVQJAE05R	
	SW816	OW16-10101-08S	TACT SWITCH	EVQJAE05R	
	SW817	OW16-10101-08S	TACT SWITCH	EVQJAE05R	
	SW818	OW16-10101-08S	TACT SWITCH	EVQJAE05R	
	SW819	OW16-10101-08S	TACT SWITCH	EVQJAE05R	
	SW820	OW16-10101-08S	TACT SWITCH	EVQJAE05R	

■ Electrical parts list (CD&MCU board)

Block No. 04

△	Item	Parts number	Parts name	Remarks	Area
	C 601	OW06-10477-00T	E.CAPACITOR	470MF +80/-20%	
	C 602	OW06-10108-02	E.CAPACITOR	1000MF 10V	
	C 603	OW06-10227-00S	E.CAPACITOR	220MF 10V	
	C 605	OW05-00104-00	C.CAPACITOR	0.1MF10% 50V	
	C 606	OW05-00250-06	C.CAPACITOR	25PF	
	C 607	OW05-00250-06	C.CAPACITOR	25PF	
	C 608	OW05-00330-06	C.CAPACITOR	33PF 5%	
	C 609	OW05-00330-06	C.CAPACITOR	33PF 5%	
	C 610	OW06-10107-00S	E.CAPACITOR	100MF 10V	
	C 611	OW06-10107-00S	E.CAPACITOR	100MF 10V	
	C 612	OW06-10476-00S	E.CAPACITOR	47MF 10V	
	C 613	OW06-10107-00S	E.CAPACITOR	100MF 10V	
	C 614	OW05-07104-82B	C.CAPACITOR	0.1MF 50V	
	C 615	OW06-50225-00T	E.CAPACITOR	2.2MF 50V	
	C 616	OW05-07271-10T	C.CAPACITOR	270PF 10%	
	C 617	OW05-00561-00	C.CAPACITOR	560PF	
	C 618	OW06-10107-00S	E.CAPACITOR	100MF 10V	
	C 619	OW05-00330-06	C.CAPACITOR	33PF 5%	
	C 620	OW05-00330-06	C.CAPACITOR	33PF 5%	
	C 621	OW06-10107-00S	E.CAPACITOR	100MF 10V	
	C 622	OW06-10106-02	E.CAPACITOR	10MF 10V	
	C 630	OW05-07102-10A	C.CAPACITOR	1000PF 10%	
	C 641	OW06-10107-02T	E.CAPACITOR	100MF 10V	
	C 642	OW06-10476-02	E.CAPACITOR	47MF 10V	
	C 643	OW06-16226-02	E.CAPACITOR	22MF 16V	
	C 646	OW05-07104-82B	C.CAPACITOR	0.1MF 50V	
	C 701	OW05-07103-20A	C.CAPACITOR	0.01MF 20%	
	C 702	OW05-07104-82B	C.CAPACITOR	0.1MF 50V	
	C 703	OW05-07223-82A	C.CAPACITOR	0.022MF	
	C 704	OW06-10476-02	E.CAPACITOR	47MF 10V	
	C 705	OW06-10476-02	E.CAPACITOR	47MF 10V	
	C 706	OW06-10106-00	E.CAPACITOR	10MF 10V	
	C 707	OW06-10106-02	E.CAPACITOR	10MF 10V	
	C 708	OW05-07222-82A	C.CAPACITOR	2200PF	
	C 709	OW06-10476-02	E.CAPACITOR	47MF 10V	
	C 710	OW06-10226-00	E.CAPACITOR	22MF 10V	
	C 711	OW05-07222-82A	C.CAPACITOR	2200PF	
	C 712	OW05-07473-82B	C.CAPACITOR	0.047MF	
	C 713	OW06-10476-00S	E.CAPACITOR	47MF 10V	
	C 714	OW06-10105-02	E.CAPACITOR	1MF 10V	
	C 716	OW05-07473-82B	C.CAPACITOR	0.047MF	
	C 717	OW05-00150-06	C.CAPACITOR	15PF 5%	
	C 718	OW05-00150-06	C.CAPACITOR	15PF 5%	
	C 719	OW06-10476-00S	E.CAPACITOR	47MF 10V	
	C 720	OW05-07473-82B	C.CAPACITOR	0.047MF	
	C 721	OW05-07473-82B	C.CAPACITOR	0.047MF	
	C 722	OW06-10476-00S	E.CAPACITOR	47MF 10V	
	C 723	OW06-10476-00S	E.CAPACITOR	47MF 10V	
	C 724	OW06-10227-00S	E.CAPACITOR	220MF 10V	
	C 725	OW05-07104-82B	C.CAPACITOR	0.1MF 50V	
	C 726	OW05-07104-82B	C.CAPACITOR	0.1MF 50V	
	C 727	OW05-07104-82B	C.CAPACITOR	0.1MF 50V	
	C 728	OW05-07104-82B	C.CAPACITOR	0.1MF 50V	
	C 729	OW05-07104-82B	C.CAPACITOR	0.1MF 50V	
	C 730	OW05-07104-82B	C.CAPACITOR	0.1MF 50V	
	C 731	OW05-07473-82B	C.CAPACITOR	0.047MF	
	C 732	OW05-07473-82B	C.CAPACITOR	0.047MF	
	C 733	OW06-10476-00S	E.CAPACITOR	47MF 10V	
	C 734	OW06-10476-02	E.CAPACITOR	47MF 10V	
	C 735	OW05-07473-82B	C.CAPACITOR	0.047MF	
	C 736	OW05-07153-05A	C.CAPACITOR	0.015MF 5%	
	C 737	OW05-07103-20A	C.CAPACITOR	0.01MF 20%	
	C 738	OW05-07470-00A	C.CAPACITOR	47PF 5%	

△	Item	Parts number	Parts name	Remarks	Area
	C 739	OW05-07272-00	C.CAPACITOR	0.0027MF 10% 50V	
	C 740	OW06-10476-02	E.CAPACITOR	47MF 10V	
	C 741	OW05-07333-00A	C.CAPACITOR	0.033MF 50V	
	C 742	OW05-07471-10A	C.CAPACITOR	470PF 10%	
	C 743	OW05-07471-10A	C.CAPACITOR	470PF 10%	
	C 744	OW05-07473-82B	C.CAPACITOR	0.047MF	
	C 745	OW05-00560-06	C.CAPACITOR	56PF 5%	
	C 746	OW05-02682-10	M.CAPACITOR	0.0068MF 10%	
	C 747	OW05-07104-82B	C.CAPACITOR	0.1MF 50V	
	C 748	OW05-07104-82B	C.CAPACITOR	0.1MF 50V	
	C 750	OW06-10107-02T	E.CAPACITOR	100MF 10V	
	C 751	OW06-10476-02	E.CAPACITOR	47MF 10V	
	C 752	OW06-10476-02	E.CAPACITOR	47MF 10V	
	C 753	OW05-07473-82B	C.CAPACITOR	0.047MF	
	C 755	OW05-02103-10	M.CAPACITOR	0.01MF 10%	
	C 755	OW05-07472-05A	C.CAPACITOR	0.0047MF 5%	
	C 756	OW05-00020-00	C.CAPACITOR	2PF	
	C 757	OW05-07104-82B	C.CAPACITOR	0.1MF 50V	
	C 761	OW05-07104-82B	C.CAPACITOR	0.1MF 50V	
	C 761	OW06-10227-02	E.CAPACITOR	220MF 10V	
	C 762	OW06-10106-02	E.CAPACITOR	10MF 10V	
	C 763	OW06-50475-00T	E.CAPACITOR	4.7MF 50V	
	C 790	OW06-16228-00	E.CAPACITOR	2200MF 16V	
	C 791	OW05-00104-00	C.CAPACITOR	0.1MF 50V	
	CN601	OW20-21100-00	CONNECTOR	P=2MM 10PIN	
	CN602	OW20-21080-00	CONNECTOR	P=2MM 8PIN	
	CN603	OW20-22030-01	CONNECTOR	P=2.5MM 3PIN	
	CN604	OW20-41082-33	CONNECTOR	P=2MM 8PIN	
	CN605	OW25-23070-02K	CONNECTOR	2PIN	
	CN607	OW20-11060-00	CONNECTOR	P=2MM 6PIN	
	CN608	OW20-21030-00	CONNECTOR	P=2MM 3PIN	
	CN609	OW20-42032-13	CONNECTOR	P=2.5MM 3PIN	
	CN701	OW20-22020-01	CONNECTOR	P=2.5MM 2PIN	
	CN702	OW20-21020-00	CONNECTOR	P=2MM 2PIN	
	CN703	OW20-21060-00	CONNECTOR	P=2MM 6PIN	
	CN704	OW20-80160-00T	CONNECTOR	P=1MM 16PIN	
	D602A	OW05-07104-82B	C.CAPACITOR	0.1MF 50V	
	D 601	OW02-04148-00R	DIODE	IN4148	
	D 602	OW02-04148-00R	DIODE	IN4148	
	D 603	OW02-04148-00R	DIODE	IN4148	
	D 604	OW02-04148-00R	DIODE	IN4148	
	D 605	OW02-50091-00	ZENER DIODE	9.1V 0.5W	
	D 606	OW02-50062-00	ZENER DIODE	6.2V 0.5W	
	D 607	OW02-04148-00R	DIODE	IN4148	
	D 608	OW02-04148-00R	DIODE	IN4148	
	D 609	OW02-50062-00	ZENER DIODE	6.2V 0.5W	
	D 610	OW02-04001-00	DIODE	1N4001	
	D 611	OW02-04148-00R	DIODE	IN4148	
	D 701	OW02-04148-00R	DIODE	IN4148	
	D 702	OW02-50056-00	ZENER DIODE	5.6V 0.5W	
	D 703	OW02-50062-00	ZENER DIODE	6.2V 0.5W	
	D 704	OW02-04148-00R	DIODE	IN4148	
	D 705	OW02-04148-00R	DIODE	IN4148	
	IC601	OW03-87261-15	IC CPU TMP	87EP26F-1J15	
	IC602	OW03-01923-00	RDS DEMODULATOR	BU1923F	
	IC701	OW03-09462-00	IC	TC9462F	
	IC702	OW03-07291-00	IC	TA7291S	
	IC703	OW03-02092-00	IC	TA2092N	
	IC704	OW03-02109-00	IC	TA2109F	
	L 601	OW09-70102-00C	INDUCTOR	100MH	
	L 602	OW09-70102-00C	INDUCTOR	100MH	
	L 603	OW09-70102-00C	INDUCTOR	100MH	
	L 604	OW08-01122-00	FERRITE BEAD	RH03509ST-B246	

■ Electrical parts list (CD&MCU board)

Block No. 04

△	Item	Parts number	Parts name	Remarks	Area
	L 605	OW09-70102-00C	INDUCTOR	100MH	
	L 606	OW09-70102-00C	INDUCTOR	100MH	
	L 607	OW08-01122-00	FERRITE BEAD	RH03509ST-B246	
	L 608	OW08-01122-00	FERRITE BEAD	RH03509ST-B246	
	L 701	OW08-01122-00	FERRITE BEAD	RH03509ST-B246	
	L 702	OW08-01122-00	FERRITE BEAD	RH03509ST-B246	
	L 703	OW09-70101-00	INDUCTOR	10MH	
	L 704	OW09-70101-00	INDUCTOR	10MH	
	LCD61	OW91-80003-00	LCD	91411TT-P	
	Q 601	OW01-00945-16	TRANSISTOR	2SC945P	
	Q 602	OW01-01240-00	TRANSISTOR	2SB1240Q	
	Q 603	OW01-00945-16	TRANSISTOR	2SC945P	
	Q 604	OW01-01240-00	TRANSISTOR	2SB1240Q	
	Q 605	OW01-00945-16	TRANSISTOR	2SC945P	
	Q 606	OW01-08050-04S	TRANSISTOR	8050D	
	Q 607	OW01-01383-18	TRANSISTOR	2SC1383R	
	Q 610	OW01-08050-04S	TRANSISTOR	8050D	
	Q 701	OW01-00945-16	TRANSISTOR	2SC945P	
	Q 702	OW01-00945-16	TRANSISTOR	2SC945P	
	Q 703	OW01-00733-16	TRANSISTOR	2SA733P	
	Q 704	OW01-01383-18	TRANSISTOR	2SC1383R	
	Q 705	OW01-00733-16	TRANSISTOR	2SA733P	
	Q 707	OW01-00733-16	TRANSISTOR	2SA733P	
	Q 709	OW01-00945-16	TRANSISTOR	2SC945P	
	Q 791	OW01-01240-00	TRANSISTOR	2SB1240Q	
	Q 792	OW01-00945-16	TRANSISTOR	2SC945P	
	R 602	OW07-15102-50T	CARBON RESISTOR	1K 1/8W 5%	
	R 603	OW07-15102-50T	CARBON RESISTOR	1K 1/8W 5%	
	R 604	OW07-15102-50T	CARBON RESISTOR	1K 1/8W 5%	
	R 605	OW07-15102-50T	CARBON RESISTOR	1K 1/8W 5%	
	R 606	OW07-15102-50T	CARBON RESISTOR	1K 1/8W 5%	
	R 607	OW07-15102-50T	CARBON RESISTOR	1K 1/8W 5%	
	R 608	OW07-15102-50T	CARBON RESISTOR	1K 1/8W 5%	
	R 609	OW07-15102-50T	CARBON RESISTOR	1K 1/8W 5%	
	R 610	OW07-15102-50T	CARBON RESISTOR	1K 1/8W 5%	
	R 612	OW07-15103-50T	CARBON RESISTOR	10K 1/8W 5%	
	R 614	OW07-15102-50T	CARBON RESISTOR	1K 1/8W 5%	
	R 615	OW07-15223-50T	CARBON RESISTOR	22K 1/8W 5%	
	R 616	OW07-15103-50T	CARBON RESISTOR	10K 1/8W 5%	
	R 617	OW07-15332-50T	CARBON RESISTOR	3.3K 1/8W 5%	
	R 618	OW07-15103-50T	CARBON RESISTOR	10K 1/8W 5%	
	R 620	OW07-15103-50T	CARBON RESISTOR	10K 1/8W 5%	
	R 622	OW07-05022-10	CARBON RESISTOR	2.2 1/2W	
	R 623	OW07-15223-50T	CARBON RESISTOR	22K 1/8W 5%	
	R 624	OW07-15102-50T	CARBON RESISTOR	1K 1/8W 5%	
	R 625	OW07-15103-50T	CARBON RESISTOR	10K 1/8W 5%	
	R 626	OW07-15103-50T	CARBON RESISTOR	10K 1/8W 5%	
	R 627	OW07-15122-50T	CARBON RESISTOR	1.2K 1/8W 5%	
	R 628	OW07-15270-50T	CARBON RESISTOR	27 1/8W 5%	
	R 630	OW07-15101-50T	CARBON RESISTOR	100 1/8W 5%	
	R 631	OW07-15222-50T	CARBON RESISTOR	2.2K 1/8W 5%	
	R 632	OW07-15102-50T	CARBON RESISTOR	1K 1/8W 5%	
	R 633	OW07-15102-50T	CARBON RESISTOR	1K 1/8W 5%	
	R 634	OW07-15103-50T	CARBON RESISTOR	10K 1/8W 5%	
	R 635	OW07-15103-50T	CARBON RESISTOR	10K 1/8W 5%	
	R 636	OW07-15103-50T	CARBON RESISTOR	10K 1/8W 5%	
	R 637	OW07-15472-50T	CARBON RESISTOR	4.7K 1/8W 5%	
	R 641	OW07-15102-50T	CARBON RESISTOR	1K 1/8W 5%	
	R 642	OW07-15103-50T	CARBON RESISTOR	10K 1/8W 5%	
	R 643	OW07-15682-50T	CARBON RESISTOR	6.8K 1/8W 5%	
	R 644	OW07-15682-50T	CARBON RESISTOR	6.8K 1/8W 5%	
	R 645	OW07-15222-50T	CARBON RESISTOR	2.2K 1/8W 5%	
	R 646	OW07-15103-50T	CARBON RESISTOR	10K 1/8W 5%	

△	Item	Parts number	Parts name	Remarks	Area
	R 647	OW07-15103-50T	CARBON RESISTOR	10K 1/8W 5%	
	R 648	OW07-15103-50T	CARBON RESISTOR	10K 1/8W 5%	
	R 649	OW07-15103-50T	CARBON RESISTOR	10K 1/8W 5%	
	R 650	OW07-15103-50T	CARBON RESISTOR	10K 1/8W 5%	
	R 651	OW07-15103-50T	CARBON RESISTOR	10K 1/8W 5%	
	R 652	OW07-15103-50T	CARBON RESISTOR	10K 1/8W 5%	
	R 653	OW07-15103-50T	CARBON RESISTOR	10K 1/8W 5%	
	R 701	OW07-15104-50T	CARBON RESISTOR	100K 1/8W 5%	
	R 702	OW07-15104-50T	CARBON RESISTOR	100K 1/8W 5%	
	R 703	OW07-15473-50T	CARBON RESISTOR	47K 1/8W 5%	
	R 704	OW07-15473-50T	CARBON RESISTOR	47K 1/8W 5%	
	R 705	OW07-15103-50T	CARBON RESISTOR	10K 1/8W 5%	
	R 706	OW07-15271-50T	CARBON RESISTOR	270 1/8W 5%	
	R 707	OW07-15271-50T	CARBON RESISTOR	270 1/8W 5%	
	R 708	OW07-15103-50T	CARBON RESISTOR	10K 1/8W 5%	
	R 709	OW07-15103-50T	CARBON RESISTOR	10K 1/8W 5%	
	R 710	OW07-15103-50T	CARBON RESISTOR	10K 1/8W 5%	
	R 711	OW07-15103-50T	CARBON RESISTOR	10K 1/8W 5%	
	R 712	OW07-15103-50T	CARBON RESISTOR	10K 1/8W 5%	
	R 713	OW07-15103-50T	CARBON RESISTOR	10K 1/8W 5%	
	R 714	OW07-15103-50T	CARBON RESISTOR	10K 1/8W 5%	
	R 715	OW07-15103-50T	CARBON RESISTOR	10K 1/8W 5%	
	R 716	OW07-15561-50T	CARBON RESISTOR	560 1/8W 5%	
	R 717	OW07-15100-50T	CARBON RESISTOR	10 1/8W 5%	
	R 721	OW07-15332-50T	CARBON RESISTOR	3.3K 1/8W 5%	
	R 722	OW07-15332-50T	CARBON RESISTOR	3.3K 1/8W 5%	
	R 723	OW07-15332-50T	CARBON RESISTOR	3.3K 1/8W 5%	
	R 724	OW07-15332-50T	CARBON RESISTOR	3.3K 1/8W 5%	
	R 725	OW07-15332-50T	CARBON RESISTOR	3.3K 1/8W 5%	
	R 726	OW07-15103-50T	CARBON RESISTOR	10K 1/8W 5%	
	R 727	OW07-15332-50T	CARBON RESISTOR	3.3K 1/8W 5%	
	R 728	OW07-15103-50T	CARBON RESISTOR	10K 1/8W 5%	
	R 729	OW07-15104-50T	CARBON RESISTOR	100K 1/8W 5%	
	R 730	OW07-15683-50T	CARBON RESISTOR	68K 1/8W 5%	
	R 731	OW07-15103-50T	CARBON RESISTOR	10K 1/8W 5%	
	R 732	OW07-15153-50T	CARBON RESISTOR	15K 1/8W 5%	
	R 733	OW07-15473-50T	CARBON RESISTOR	47K 1/8W 5%	
	R 734	OW07-15102-50T	CARBON RESISTOR	1K 1/8W 5%	
	R 735	OW07-15222-50T	CARBON RESISTOR	2.2K 1/8W 5%	
	R 736	OW07-15333-50T	CARBON RESISTOR	33K 1/8W 5%	
	R 737	OW07-15473-50T	CARBON RESISTOR	47K 1/8W 5%	
	R 738	OW07-15102-50T	CARBON RESISTOR	1K 1/8W 5%	
	R 739	OW07-15100-50T	CARBON RESISTOR	10 1/8W 5%	
	R 740	OW07-15393-50T	CARBON RESISTOR	39K 1/8W 5%	
	R 741	OW07-15683-50T	CARBON RESISTOR	68K 1/8W 5%	
	R 742	OW07-15101-50T	CARBON RESISTOR	100 1/8W 5%	
	R 743	OW07-15154-50T	CARBON RESISTOR	150K 1/8W 5%	
	R 744	OW07-15473-50T	CARBON RESISTOR	47K 1/8W 5%	
	R 745	OW07-15473-50T	CARBON RESISTOR	47K 1/8W 5%	
	R 746	OW07-15473-50T	CARBON RESISTOR	47K 1/8W 5%	
	R 747	OW07-15473-50T	CARBON RESISTOR	47K 1/8W 5%	
	R 748	OW07-15154-50T	CARBON RESISTOR	150K 1/8W 5%	
	R 750	OW07-15102-50T	CARBON RESISTOR	1K 1/8W 5%	
	R 751	OW07-05561-00	CARBON RESISTOR	560 1/4W	
	R 752	OW07-15102-50T	CARBON RESISTOR	1K 1/8W 5%	
	R 753	OW07-15101-50T	CARBON RESISTOR	100 1/8W 5%	
	R 754	OW07-05082-10	CARBON RESISTOR	8.2 1/2W	
	R 755	OW07-15101-50T	CARBON RESISTOR	100 1/8W 5%	
	R 757	OW07-15562-50T	CARBON RESISTOR	5.6K 1/8W 5%	
	R 758	OW07-15104-50T	CARBON RESISTOR	100K 1/8W 5%	
	R 759	OW07-15512-50T	CARBON RESISTOR	5.1K 1/8W 5%	
	R 760	OW07-15222-50T	CARBON RESISTOR	2.2K 1/8W 5%	
	R 761	OW07-15562-50T	CARBON RESISTOR	5.6K 1/8W 5%	

■ Electrical parts list (CD&MCU board)

Block No. 04

△	Item	Parts number	Parts name	Remarks	Area
	R 762	OW07-15103-50T	CARBON RESISTOR	10K 1/8W 5%	
	R 763	OW07-15102-50T	CARBON RESISTOR	1K 1/8W 5%	
	R 764	OW07-15103-50T	CARBON RESISTOR	10K 1/8W 5%	
	R 791	OW07-15223-50T	CARBON RESISTOR	22K 1/8W 5%	
	R 792	OW07-15473-50T	CARBON RESISTOR	47K 1/8W 5%	
	R 793	OW07-15103-50T	CARBON RESISTOR	10K 1/8W 5%	
	R 794	OW07-15471-50T	CARBON RESISTOR	470 1/8W 5%	
	R 794	OW07-15102-50T	CARBON RESISTOR	1K 1/8W 5%	
	X 601	OW04-07200-00H	CRYSTAL	7.2MHZ HC-49S	
	X 602	OW04-32768-03S	CRYSTAL	U3X8 32.768KHZ	
	X 603	OW04-04332-01N	CRYSTAL	4.332MHZ 49U-NEW	
	X 701	OW04-16934-41M	CRYSTAL	16.9344MHZ	

< MEMO >

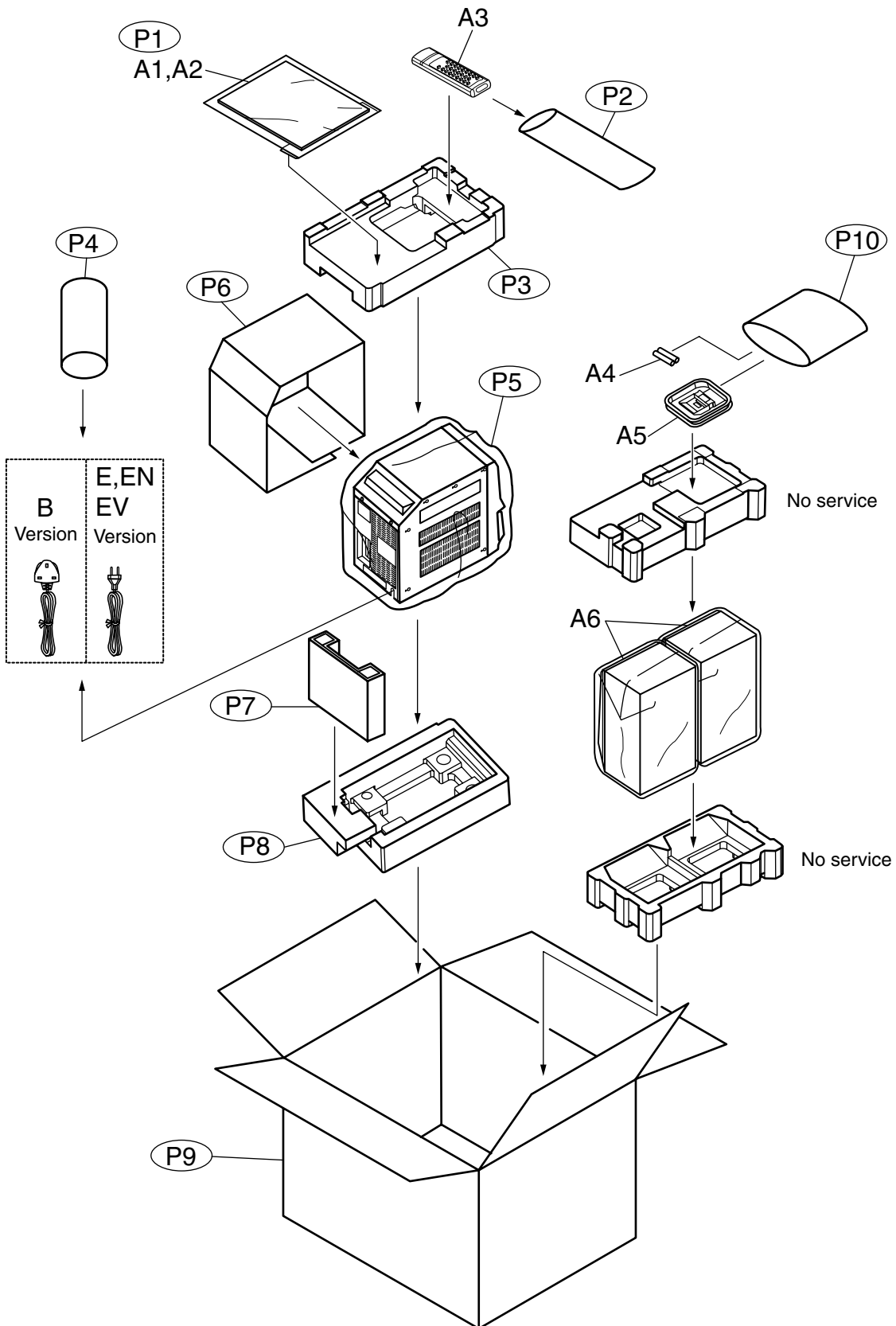
Packing materials and accessories parts list

Block No.

M	3	M	M
---	---	---	---

Block No.

M	5	M	M
---	---	---	---



Parts list (Packing)

Block No. M3MM

△	Item	Parts number	Parts name	Q'ty	Description	Area
	P 1	OW85-91014-02	POLY BAG	1	10 X 14 PO	
	P 2	OW85-00025-01A	POLY BAG	1	3.5X10 W/RCY PO	
	P 3	OW86-30000-00	POLY FOAM	1	TOP	
	P 4	OW85-00025-01A	POLY BAG	1	3.5X10 W/RCY PO	
	P 5	OW85-92123-02	POLY BAG	1	21X23 W/H & WARNS PO	
	P 6	OW81-30000-01	PROTECT SHEET	1		
	P 7	OW89-30000-00	SUPPORT PAPER	1		
	P 8	OW86-30000-01	POLY FOAM	1	BOTTOM	
	P 9	OW83-30000-00	GIFT BOX	1		
	P 10	OW85-90710-04	POLY BAG	1	7X10 PE	

Parts list (Accessories)

Block No. M5MM

△	Item	Parts number	Parts name	Q'ty	Description	Area
	A 1	OW88-30000-40	INSTRUCTIONS	1	GER,FRE,DUT	E
		OW88-30000-44	INSTRUCTIONS	1	SWE,FIN,DAN,GER	EN
		OW88-30000-44	INSTRUCTIONS	1	FRE,SPA,ITA	EN
		OW88-30000-45	INSTRUCTIONS	1	POL,HUN,CZE,RUS	EV
		OW88-30000-42	INSTRUCTIONS	1	ENG	B
	A 2	OW88-30000-41	WARRANTY CARD	1	BT-54012-2	EV
		OW88-00035-00	WARRANTY CARD	1	BT54008-2	B,E,EN
	A 3	OWV-RE-JVC	REMOTE UNIT	1	RM-SUXM3R	
	A 4	-----	BATTERY	2		
	A 5	OW23-04910-02	AM LOOP ANT	1	4910 L=1M W/JST	
	A 6	UXM3R-SPBOX	SPK.WITH BOX	2		